

BRAND ON DEMAND

Create Unique, Branded Tap Handles

Do-it-yourself with style. Flexible, cost-effective and uniquely designed, the BOD Tap Handle delivers branding and real-time marketing. You can reuse the BOD Tap Handle to promote a seasonal or traditional beer or promote special venues or holidays. Simply re-print the branding label and reuse the BOD Tap Handle again and again.



EASY AS: **DESIGN** → **PRINT** → **INSERT**

360° SERIES

FEATURES:

- 360° branding
- Graphics are sealed inside
- Water-resistant
- Choose from two heights
- Brushed metal top and caps

PART NO.	HEIGHT	DESCRIPTION
C100-4	4"	Black acrylic top and bottom caps, acrylic lens
C100-4-M	4"	Metal top and bottom caps, acrylic lens
C150-6	6"	Black acrylic top and bottom caps, acrylic lens



SCULPTURED SERIES

FEATURES:

- Front and back branding
- Sculpted metal with clear acrylic insert
- Brilliant chrome finish
- Graphics are sealed inside
- Two styles to choose from

PART NO.	HEIGHT	DESCRIPTION
T180-7	7"	Twist – chrome with acrylic lens
P180-7	7"	Pebble – chrome with acrylic lens

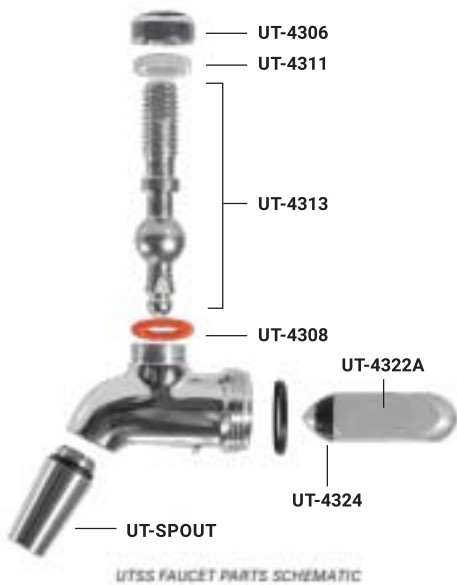


TAP HANDLES



SCAN TO SEE ALL TAP HANDLES

FAUCETS



FAUCETS

304 BODY

The best in purity! Features 304 grade stainless steel body and shaft assembly so only stainless steel touches the beverage. Excellent for dispensing beer, wine, water, spirits and more.

PART NO.	MATERIAL	FINISH	DESCRIPTION
304	304 stainless steel	Polished	With stainless steel lever
304G	304 stainless steel	PVD brass	With stainless steel lever



304 PUSHTAP

PushTap™ uses patented technology along with a 304 stainless steel push plate for easy Push Action™ dispensing. Safe and hygienic, limit operator contact. Dispense beer, wine, cocktails, cold brew coffee, teas and water.

FEATURES:

- Single hand Push Action dispense operation
- Self-closing faucet for full 'on' or 'off' pouring
- Reduced points of contact
- Works on all towers.

PART NO.	MATERIAL	FINISH	DESCRIPTION
304-PT	304 stainless steel	Polished	With stainless steel push plate

TRIGGER TAP FAUCET

Save money and eliminate waste! Trigger Tap™ only has 2 positions, open and closed. The patented technology prevents servers from pouring with a partially open faucet which results in foam and loss of revenue.

PART NO.	DESCRIPTION
304-TT	304 grade stainless steel, note etched "TT" on front end of shaft



CREAMER FAUCET

The tap handle operates in the standard way, but when you push back on the handle air is sucked into the beer to give your glass a nice dense foamy head.

PART NO.	DESCRIPTION
CMB-X2CH	Stainless steel lever, metal coupling threads and chrome trim
304-CR	304 grade stainless steel, note etched "C" on front end of shaft



ULTRATAP

Stainless steel forward-sealing faucet.

PART NO.	MATERIAL	FINISH	DESCRIPTION
UTSS	304 stainless steel	Polished	Forward sealing, stainless steel lever

ULTRATAP REPLACEMENT PARTS

PART NO.	DESCRIPTION
UT-4306	Ultratap lever bonnet
UT-4308	Ultratap friction washer
UT-4311	Ultratap ball washer
UT-4313	Ultratap lever
UT-4322A	Ultratap shaft assembly
UT-4324	Ultratap shuttle washer
UT-SPOUT	Ultratap spout without o-ring

ACCESSORIES

PART NO.	DESCRIPTION
SP1000	Standard spout plug
SP1000-ROTO	Debitap & RotoTap spout plug
MM-KLP250	Faucet spout plug / brush
MP-055	2" knob extension
MP-064	Tap marker angler
MP-070	Faucet plug

FAUCETS

STANDARD BODY

Designed for easy installation and to dispense a wide variety of beer styles.

PART NO.	MATERIAL	FINISH	DESCRIPTION
4933SS	304 stainless steel	Polished	With stainless steel lever
4933GSS	304 stainless steel	PVD brass	With stainless steel lever
4933K	Brass	Chrome	With brass lever
4933	Brass	Chrome	With stainless steel lever
4933KSC	Brass	Chrome	Self-closing
4933KBR	Brass	Polished brass	With brass lever
4933BR	Brass	Polished brass	With stainless steel lever

REPLACEMENT PARTS

PART NO.	DESCRIPTION
4301	Black knob
4302	Lever collar
4306	Lever bonnet
4308	Friction washer
4311	Ball washer
4312	Brass lever
4313	Stainless lever
4316	Chrome body
4318	Coupling washer
4322	Shaft
4322A	Shaft assembly chrome
4322A-304	Shaft assembly 304 stainless steel
4322A-304CR	Creamer shaft assembly 304 stainless steel
304-18092	Trigger Tap™ shaft & lever kit
4324	Shaft seat
4326	Shaft nut
4326-304	Shaft nut 304 stainless steel

NOTE: Add BR to the end of part number for brass finish, except for UT- part numbers.

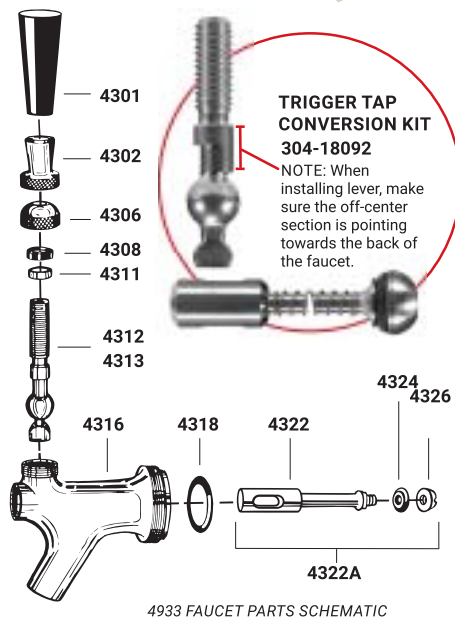
FAUCET LOCKS

PART NO.	DESCRIPTION
23-41-304	Fits 304 body
304-FL	Fits 304 body and standard U.S. body
23-41	Fits standard U.S. body

FLEXIDRAFT™ HOSE ASSEMBLY

Includes the probe, beer line and faucet spout assembly.

PART NO.	DESCRIPTION	COLOR CODE
FD-H-D	FlexiDraft™ hose assembly – D System	Green
FD-H-S	FlexiDraft™ hose assembly – S System	Blue
FD-H-AG	FlexiDraft™ hose assembly – A and G Systems	Red
FD-H-U	FlexiDraft™ hose assembly – U System	Black



4933 FAUCET PARTS SCHEMATIC

